

# Gliderol Broadline™ Commercial Roller Door



**Quality and performance at a price you'll appreciate.** When a combination of quality and economy in an upward-acting, light-duty commercial door is specified, the new Gliderol™ Broadline™ continuous curtain door is the ideal answer.

The reasons:

- Simplicity of design reduces costs by eliminating many of the complex working parts necessary in our heavier-duty commercial/industrial rolling metal doors.
- Superior quality materials help make the Gliderol™ door last longer and look better than many other continuous curtain metal doors.
- Innovative engineering makes the Gliderol™ Broadline™ door easy to install, operate, and maintain.

The Gliderol™ door exemplifies the dedication to engineering excellence that has been built over many years of experience.

The Gliderol™ Commercial Roller Door is designed for light commercial applications in buildings and warehouses. Standard doors range from 4m to 5.4m. Special sizes can be ordered to suit up to 6 x 6m.

Smaller sized Broadline™ doors can be operated manually; larger sized models are equipped with either direct-drive, or gear-reduced chain hoists for easier operation. (See Standard Operation Selection Chart and Guide Detail - Page 3).

The benefits are built-in with design features like:

**Curtain.** The curtain is roll-formed from .5 gauge zincalume base sheet steel. The deep ribbing created in the roll-forming adds strength, durability and enhances the architectural appearance of the installed door.

The continuous steel curtain reduces the need for interlocking slats commonly employed in the more expensive roller shutters, but it operates in the same manner. The curtain coils and uncoils around the counterbalance shaft during operation. Compared to slat-type doors, the Broadline™ door is quieter and requires less effort to open and close.

The roller door curtain is weather protected by Gliderol™ Rollformed Zincalume base steel sheet panels. Able to withstand the harshest of Australian conditions.

Manufactured by  
**Gliderol Garage and  
Commercial Doors**

A Division of Gliderol  
International Pty Ltd  
ACN 007 928 949

An Australian Manufacturing  
Company

32 Jacobsen Crescent  
Holden Hill SA 5088  
Adelaide, South Australia

Telephone +61 8 261 9633  
Facsimile +61 8 261 9700

Email [sales@gliderol.com.au](mailto:sales@gliderol.com.au)  
[www.gliderol.com.au](http://www.gliderol.com.au)

Size for size, the Gliderol™ door delivers one of the best windload values of any door in its price range. The strength of the horizontally ribbed curtain, and the stability provided by the deep steel channel guides, results in a superior windload capacity. Full windloading information is provided on the technical data and mounting detail page of this brochure.

**Unique Glide Design.** The Gliderol™ door's unique glide design provides smoother, quieter and easier opening-and-closing operation by eliminating metal-to-metal contact. The glide system employs a self-lubricating polyglide™ strip applied to the surface of the curtain.

**Door Guides.** These are constructed of roll-formed galvanised steel to provide superior strength. The deep channels help maintain the integrity of the door and assure proper alignment. All guides are pre-punched for easy mounting and installation on the specified type wall or jamb.

**Brackets.** These are constructed of 5mm angle steel welded structural steel angles, and are supplied according to door size.

**Counter-balance.** Every Gliderol™ door size is computer-matched with the proper counterbalance system for spring sizing, tension and strength based on door size.

The counterbalance drum wheels and centre support arm are both self-lubricating nylon, and there are no rollers or hinges to break or wear out.

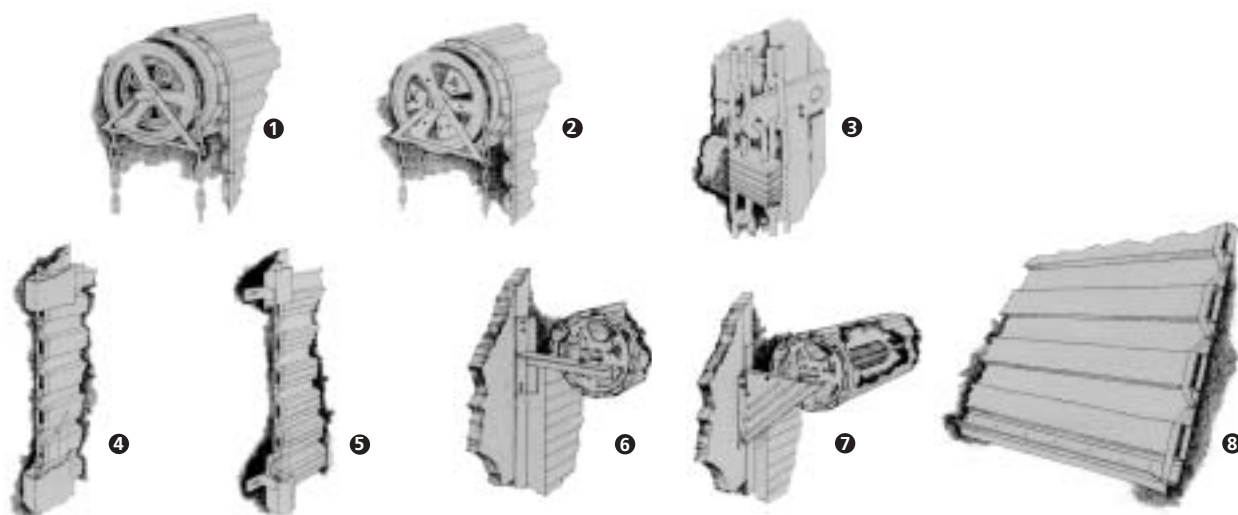
Doors over 3m wide x 3.6m high are furnished with either direct-drive 1:1 ratio or gear-reduced chain hoist drive, depending on the door size (See Standard Operation Selection Chart).

Doors over 3m wide x 3.6m high are not recommended for manual push-up operation.

Chain hoist systems are supplied in right-hand configuration unless otherwise specified.

The chain wheel and planetary gears are made of a strong, light-weight, engineered nylon. The planetary gear reduction system is compact and built to exacting tolerances. The chain wheel is designed to self-centre the chain for years of trouble-free operation.

**Optional Windlocking.** Secure your commercial Roller Door against prevailing winds. Windlock clips fixed to the Commercial Door curtain secure the door in the Guide and ensure strength and security at all times. (Cyclone Rated. Certified AS 1170-2).



1. Chain Hoist Detail  
Gear-Reduced Drive

2. Chain Hoist Detail  
Direct Drive

3. Chain Lock Detail

4. Guide Detail for Broadline™  
Door with Steel or Wood Jamb

5. Guide Detail for Models GS Doors with  
Wood or Masonry Jamb

6. Angle Bracket

7. Computer-Matched Counterbalance

8. Bottom Rail with PVC Weatherseal

### Locking Mechanism

For the GC model Commercial Roller Door an interior or exterior Shoot Bolt Lock is provided. This lock can be mounted at any height to suit individual preferences.

On chain-operated Commercial and Standard model doors, an interior chain locking fixture on the door guide is standard.

### Bottom Rail

The aluminium bottom rail resists tampering and adds rigidity to the bottom of the door.

### Bottom Weatherseal

A PVC bottom seal fits against the floor surface. An optional lintel weatherseal is available on all models.

### Mounting System

The Gliderol door can be easily installed on any kind of building surface - wood, masonry, concrete, or steel. Because of its compact design, headroom and side clearance, requirements are minimal.

Your local Gliderol Distributor can provide fully trained experts to handle all installation procedures for you in a minimum amount of time. They can also properly adjust each Gliderol door counterbalance system to the proper tension for the specific on-site requirements.

### Architectural Specifications

Gliderol doors shall be Model No: Broadline™ (See Model Number Chart) as manufactured by Gliderol Commercial Garage Doors, erected in accordance with Gliderol Commercial Garage Doors' instructions and standards provided by their authorised representative.

Operation shall be chain hoist or push.

Curtain shall consist of roll-formed .5-gauge zincalume base steel. Polyglide strips shall be attached at curtain edges to assure smooth and quiet operation. A continuous galvanised steel angle bottom and weatherseal shall be attached to the bottom of the curtain.

Brackets shall be welded structural steel angles, depending on door size.

Counterbalance assembly shall include self-lubricating support rings, upon which the curtain will attach and coil, torsion springs anchored to a continuous steel torsion rod. Springs to be of sufficient size to properly balance door.

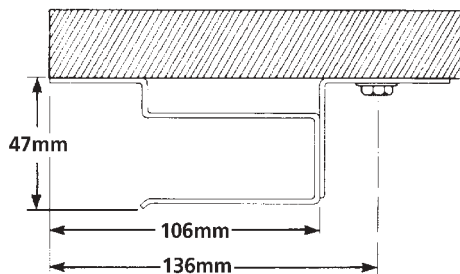
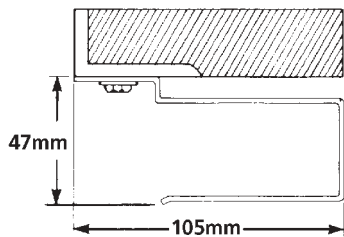
Gliderol Commercial Garage Doors reserves the rights to change product specifications without prior notice.

### Limited Warranty

All Gliderol Commercial Garage Doors' products are sold with a one year limited warranty for workmanship, materials and installation by the Distributor of Gliderol Commercial Garage Doors. Copies of this limited warranty may be obtained on request from your local Distributor or Gliderol Commercial Garage Doors.

The Company reserves the right to make changes or improvements to the products or accessories without notice and without incurring any obligation to make similar changes or improvements to goods previously ordered.

## Guide Detail - Broadline™



# Technical Data and Mounting Details

## Model Number Chart

Description	Operation	Specify Model No.:
Interior face mounted, commercial model	Push-up manual	GCM
Interior face mounted, commercial model	Chain hoist (direct drive)	GCD
Interior face mounted, commercial model	Chain hoist (reduction drive)	GCR

## Windload Capacity Chart

Model Broadline™		
Opening Width	Wind Load* (Kgm <sup>2</sup> )	Wind Speed (Km)
2400	1.5 kgm <sup>2</sup>	189 km
3000	0.93 kgm <sup>2</sup>	151 km
3600	0.63 kgm <sup>2</sup>	127 km
4200	0.5 kgm <sup>2</sup>	109 km
4800	0.38 kgm <sup>2</sup>	94 km
5400	0.29 kgm <sup>2</sup>	86 km

\* Based on Steel Jamb Mounting

## Standard Operation Selection Chart

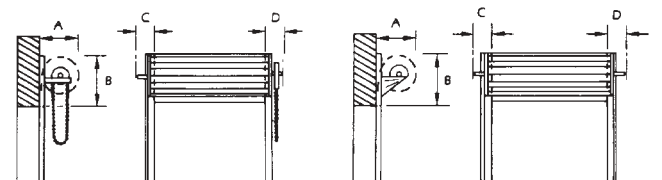
6000					Consult Engr.
5400					
4200					
3600					
3000					
2400					
Opening Width	2400	3000	3600	4200	5400
	Opening Height				

Push-Up Operation
  Hand Chain Direct Drive
  Hand Chain Reduced Drive

## Interior Face Mounted - Installation Clearances

Opening Heights	A	B
2100 to 2400	460mm	460mm
2400 to 3000	485mm	485mm
3000 to 3600	520mm	520mm
3600 to 4200	540mm	540mm
4200 to 5000	560mm	560mm
DoorType - Operation	C*	D*
Standard - Push up	250mm	250mm
Standard - Direct Chain	250mm	300mm
Standard - Reduced Chain	250mm	360mm
Commercial - Push up	280mm	280mm
Commercial - Direct Chain	280mm	360mm
Commercial - Reduced Chain	280mm	360mm

## Interior Face Mounted



# Glidermatic GRD™

## Commercial Roller Door Opener

The Glidermatic™ has been tested by the Underwriters Laboratory and has been patented worldwide.

The Glidermatic™ operator's quality and dependability have been thoroughly tested and successfully proven with nearly twenty years of service in actual field use.

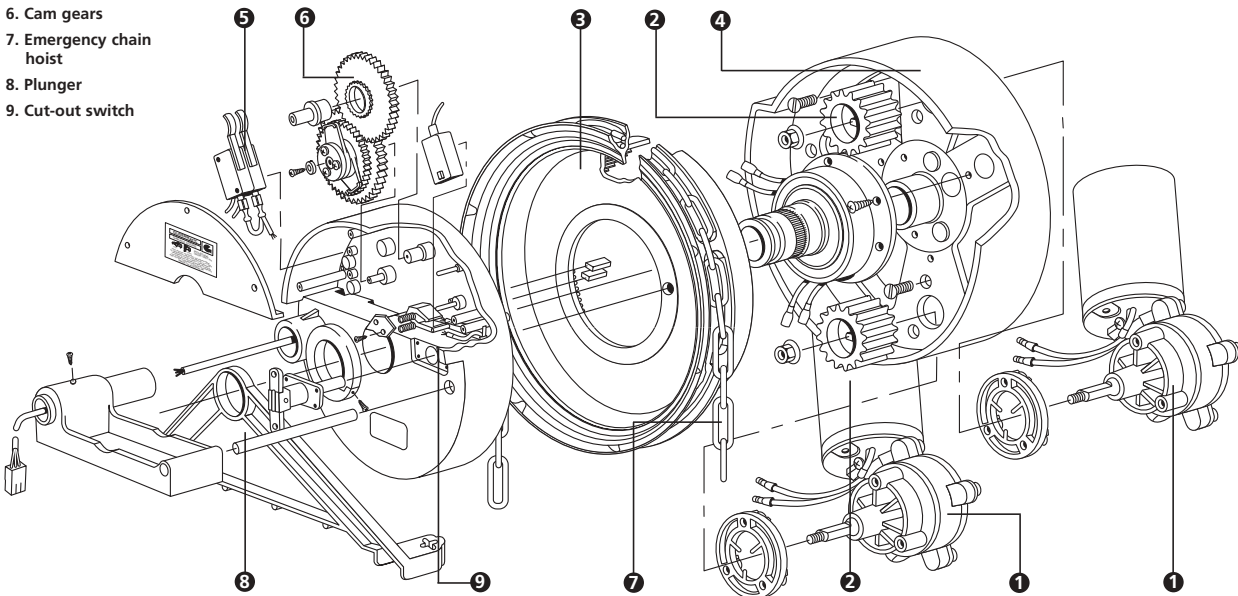
**Drive Unit 1/3 HP DC Motor(s)** are fixed to an end drum wheel and have special gear heads that project into and mesh with the main planetary gear housing which remains stationary for motor operation.

The drive force of the motor gear head rotates the motor(s), along with the drum wheel and door curtain, around the fixed planetary gear.

Door travel is controlled by open and close limit switches which are actuated by cam gears that are completely adjustable to suit door height. Easy access is provided. See detail A.

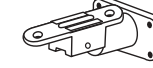
Diagram below right: Glidermatic GRD™ features:

1. Drive Unit 1/2 HP DC motor(s)
2. Gear heads
3. Planetary gear housing
4. Drum wheel
5. Open and close limit switches
6. Cam gears
7. Emergency chain hoist
8. Plunger
9. Cut-out switch

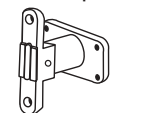


Detail A: End view of Drive Unit with access cover removed showing limit switches, cam gears and cut out switch. Also shown is the Manual emergency disconnect lever and the anchor block attached to wall bracket with dual anchor pins into the Drive Housing.

Diagram below: Glidermatic GRD™ Red Pin Handle



Manual Operation



Glidermatic™



**GLIDEROL**  
GARAGE AND  
COMMERCIAL DOORS

A Division of Gliderol International Pty Ltd  
ACN 007 928 949  
An Australian Manufacturing Company

Door travel limit switch settings are not disturbed if door is switched to chain hoist operation, since the cam gears are rotated only by the actual travel of the door curtain. Settings are not lost during power failure either.

**Emergency Chain Hoist** is moulded as part of the main planetary gear housing. In case of power failure, a simple lever action withdraws a plunger from the main planetary gear which then makes it connect directly to the coil of the door, which can now be operated by the chain hoist.

A cut-out switch deactivates all power to the motor(s) while the lever is set to chain hoist operation.

**Control Box** is a fully insulated enclosure that contains the logic circuitry which includes overload protection. A three station push button with UP-DOWN-STOP is furnished in the control box as standard.

**Miminal Field Installation** is required for the control box and push button station, which is wall mounted in close proximity to the door.



Detail B: Interior view of Dual 1/2 HP DC motors inside the coil of the door. Also shown is the chain hoist sheave which accepts welded chain and the chain guide.

**Glidermatic GRD™**  
Industrial Roller Door Opener  
Using technology smarter.

**Australian Distributors International Manufacturers and Licencees**

**Head Office, South Australia**  
Gliderol Garage Doors Pty Ltd  
32 Jacobsen Crescent  
Holden Hill SA 5088  
Telephone (08) 8261 9633  
Facsimile (08) 8261 9700

**Victoria**  
Gliderol Garage Doors Pty Ltd  
23 Kitchen Road  
Dandenong VIC 3175  
Telephone (03) 9793 5455  
Facsimile (03) 9706 8492

**New South Wales**  
**Sydney**  
Gliderol Garage Doors Pty Ltd  
45 Sammut Street  
Smithfield NSW 2164  
Telephone (02) 9725 1033  
Facsimile (02) 9725 1115

**Newcastle**  
Gliderol Garage Doors Pty Ltd  
Unit 2-87 Glenwood Drive  
Thornton NSW 2322  
Telephone (02) 4966 8500  
Facsimile (02) 4966 8511

**Queensland**  
Gliderol Garage Doors Pty Ltd  
45 Harvey Street  
Eagle Farm QLD 4009  
Telephone (07) 3888 2766  
Facsimile (07) 3888 2760

**Western Australia**  
Gliderol Garage Doors Pty Ltd  
21 Prindiville Drive  
Wangara WA 6065  
Telephone (09) 9409 3200  
Facsimile (09) 9409 3200

**Tasmania**  
Gliderol Garage Doors Pty Ltd  
C/O 23 Kitchen Road  
Dandenong VIC 3175  
Telephone (03) 9793 5455  
Facsimile (03) 9706 8492

**United Kingdom**  
Gliderol Doors UK Ltd  
1 Doxford Drive  
South West Industrial Estate  
Peterlee Co. Durham  
Telephone 44 191 518 0455  
Facsimile 44 191 518 0548

**Singapore**  
Gliderol Doors (S) Pte Ltd  
No 85 International Road  
Singapore 629176  
Telephone 65 266 6668  
Facsimile 65 266 6866

**Malaysia**  
Gliderol Doors (M) SDN BHD  
No 49B 2nd Floor Jln SS15/8A  
47500 Subang Jaya  
Selangor Darul Ehsan, Malaysia  
Telephone 7342350  
Facsimile 7343217

**China**  
**People's Republic of China**  
Gliderol (Asia) Pte Ltd  
No 20 Beimen Heling  
Quanzhou, Fujian Province  
People's Republic of China  
Telephone 595 2383838  
Facsimile 595 2392388

**United States**  
Gliderol International  
Jim Pace  
2317 Ridgewood Drive  
Piano, Texas 75074  
Telephone 1 972 423 9075  
Facsimile 1 972 423 8735

**Saudi Arabia**  
Al-Moosa Garage Doors  
Al Hassa, Dhahran Street  
PO Box 10070 Pin Code 31982  
Telephone (03) 966 3 587 3660  
Facsimile (03) 587 8050

**Bahrain**  
Abbas Biljeek & Sons  
PO Box 308  
Manama, Bahrain  
Telephone 973 401 444  
Facsimile 973 401 333

**United Arab Emirates**  
ADESCO  
PO Box 43217, Abu Dhabi  
United Arab Emirates  
Telephone 9712 393 915  
Facsimile 9712 393 965

**Al Adrani & Partners**  
Electronic Doors  
PO Box 1510  
Doha, Qatar  
Telephone 974 4884 340  
Facsimile 974 4884 336

**India**  
Indo-Germa Products Ltd  
No 14 Pattullous Road  
Chennai 600 002  
India  
Telephone 91 44 852 0075  
Facsimile 91 44 852 0047

**Taiwan**  
**Republic of China**  
Gliderol Taiwan Ltd  
105 Chung Shing Road  
Hsin Shing Tsun  
Lu Chu Hsiang  
Taoyuan Hsien  
Taiwan  
Telephone 886 3 323 9200  
Facsimile 886 3 323 9161

**Thailand**  
Gliderol Doors (Thai) Co. Ltd  
2432 Moo 6, Bangna-Trad Road,  
Bangsothong, Smutprakarn10540  
Thailand  
Telephone 662 740 02313  
Facsimile 662 740 0235